

RF

Brake resistor option

Installation

RF

Brake resistor option

Notes

RF
Brake resistor option
CONTENTS

1 - GENERAL INFORMATION.....	5
2 - CHARACTERISTICS	5
2.1 - Electrical characteristics	5
2.2 - Mechanical characteristics.....	5
3 - CONNECTION	6

RF

Brake resistor option

Notes

RF

Brake resistor option

GENERAL INFORMATION

1 - GENERAL INFORMATION

The use of the brake resistor is facultative.

It is used to dissipate the active power returned by the motor on the direct current bus of the drive, in case of a rotating machine.

- ⚠ • The brake resistor must be installed away from components that could be damaged by the dissipated heat.
- Particular attention must be paid to each handling close to the resistor, due to the presence of a high voltage and to the heat dissipation (temperature of the resistor higher than 70°C).
- The brake resistor must be installed with a thermal relay connected in series, rated to the RMS current avoid the fire risks that could be generated by the inadequate operation of the brake transistor or by a short-circuit.
- A brake resistor must be installed outside the cabinet, above it or as close as possible to it . Check that it is integrated into a ventilated metallic terminal block, so as to avoid any direct contact with the resistor.

2 - CHARACTERISTICS

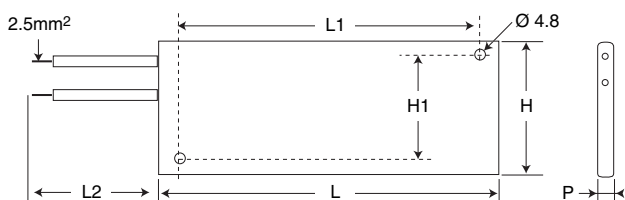
2.1 - Electrical characteristics

RF resistor type	Ohmic value (Ω)	Thermal power (W)	Peak power (W)		Rms current (A)*
			230V	400V	
RF-SIR-600-100	100	100	1406	5184	1.1
RF-SIR-1100-100	100	600	1406	5184	2.7
RF-MD-2000-75	75	2000	1870	6912	5.7
RF-SIR-1100-50	50	600	2813	10368	3.8
RF-MD-5500-40	40	5500	3500	12960	12.9
RF-SIR-1100-25	25	600	5625	20736	5.4
RF-MD-3000-25	25	3000	5625	20736	12
RF-MD-11000-25	25	11000	5625	20736	23
RF-MD-11000-15	15	11000	9325	34560	29.5
RF-MD-3000-12	12	3000	11700	43200	17.5
RF-MD-7500-10	10	7500	14063	51840	30
RF-MD-11000-10	10	11000	-	51840	33.2
RF-MD-18500-10	10	18500	-	51840	43
RF-MD-19500-10	10	19500	14063	51840	48.6
RF-MD-27500-10	10	27500	-	51840	52.4
RF-MD-7500-5	5	7500	28125	103680	42
RF-MD-11000-5	5	11000	28125	103680	51.6
RF-MD-22500-5	5	22500	-	103680	67
RF-MD-37500-5	5	37500	-	103680	86.6
RF-MD-55000-5	5	55000	-	103680	104.8
RF-MD-75000-4	3.5	75000	-	148110	146.4
RF-MD-110000-3	2.35	110000	-	220600	216.3

* Current for adjusting the thermal relay in the resistor.

2.2 - Mechanical characteristics

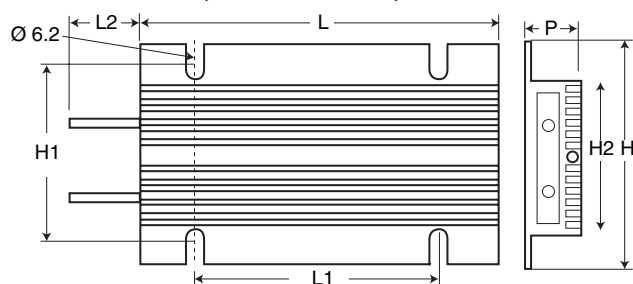
• RF - SIR 600 - 100



Weight :
Protection : IP33

Type	Sizes (mm)					
	L	L1	L2	H	H1	P
RF-SIR 600-100	102	81	300	68	57	13

• RF-SIR-1100-100, RF-SIR-1100-50, RF-SIR-1100-25



Weight : 1.3 kg
Protection : IP55

Type	Sizes (mm)						
	L	L1	L2	H	H1	H2	P
RF-SIR-1100-xx	320	240	300	95	82 ±2	71	30

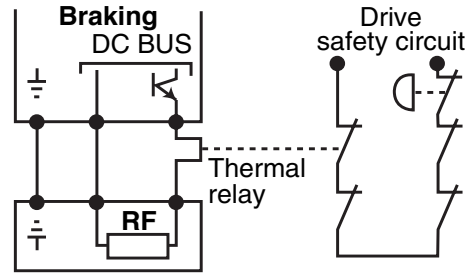
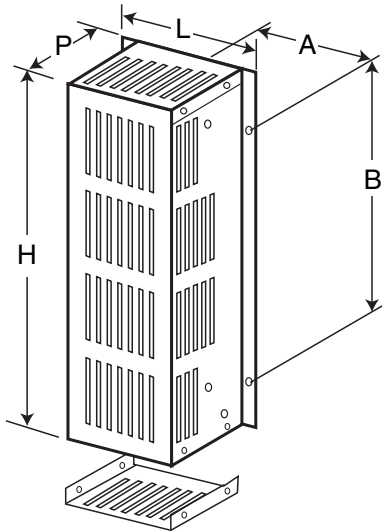
RF

Brake resistor option

CONNECTION

•RF-MD-2000-75, RF-MD-3000-25, RF-MD-3000-12

3 - CONNECTION

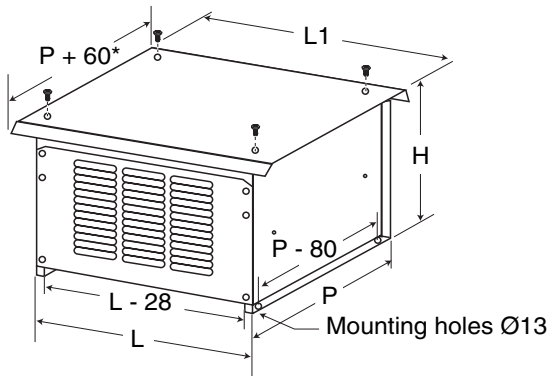


The thermal relay will be adjusted to the value of the rms current of the RF resistor.

Protection : IP20

Type	Sizes (mm)			Mounting holes (mm) Ø 11		Weight (kg)
	L	P	H	A	B	
RF-MD-2000-75	182	140	450	160	310	5
RF-MD3000-25	227	140	450	205	310	6
RF-MD-3000-12	227	140	450	205	310	6

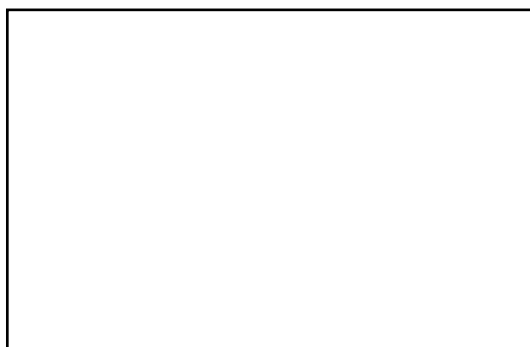
• RF-MD-5500-40, RF-MD-7500-10, RF-MD-11000-10, RF-MD-11000-25, RF-MD-18500-10, RF-MD-22500-5, RF-MD-27500-5, RF-MD37500-5, RF-MD-55000-5, RF-MD-75000-3, RF-MD-110000-2



Protection IP13

* becomes P + 80 starting with RF-MD-37500-5

Type	Sizes (mm)				Weight (kg)
	L	L1	P	H	
RF-MD-5500-40	420	450	480	440	21
RF-MD-7500-10	500	530	480	440	25
RF-MD-11000-10	670	690	480	440	32
RF-MD-11000-25	670	690	480	440	32
RF-MD-18500-10	960	990	480	440	53
RF-MD-22500-5	960	990	540	440	58
RF-MD-27500-10	860	890	480	690	66
RF-MD-37500-5	960	1140	380	1150	77
RF-MD-55000-5	960	1140	540	1150	105
RF-MD-75000-3	1080	1260	680	1150	145
RF-MD-110000-2	960	1140	740	1520	200



MOTEURS LEROY-SOMER 16015 ANGOULÊME CEDEX - FRANCE

338 567 258 RCS ANGOULÊME
S.A. au capital de 62 779 000 €

www.leroy-somer.com